

Waterproof Junction Box - INSX123

Material: Aluminum

Dimensions: 135mm x 135mm x 55mm

Color: White

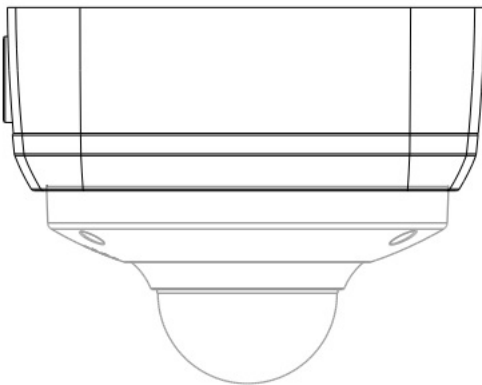
Type of Installation: Wall

Net Weight: 0.6kg

Load Bearing Capacity: 3kg



Applications



Dimensions (mm)

